



Hidrofleks

·Hydraulics ·Pneumatic ·Automation

As Hidrofleks; from hydraulic equipments to pneumatic materials, from engineering, maintenance and system installation services to all kinds of connection equipment needed by industrial facilities, we produce fast, cost-effective, permanent and high quality solutions to your problems...

Hidrofleks meets all the service demands of industrial companies, in the fields of hydraulic - pneumatic and industrial hose types with it's deep-rooted knowledge and experience, customer satisfaction principle and modern equipments...

Hidrofleks, adopting the principle of quality service in order to advance in the sector in which it takes place, offers all the service you need in a professional and coordinated manner; offers you a safe and problem-free working environment...

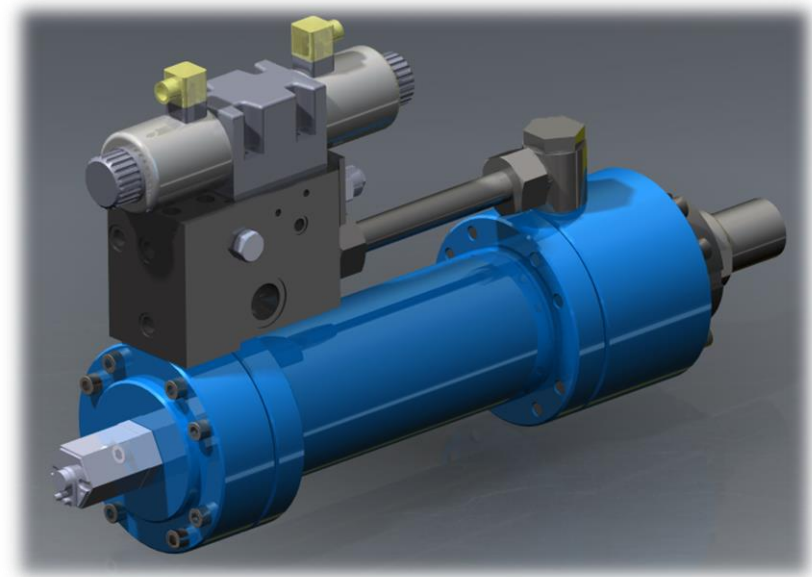
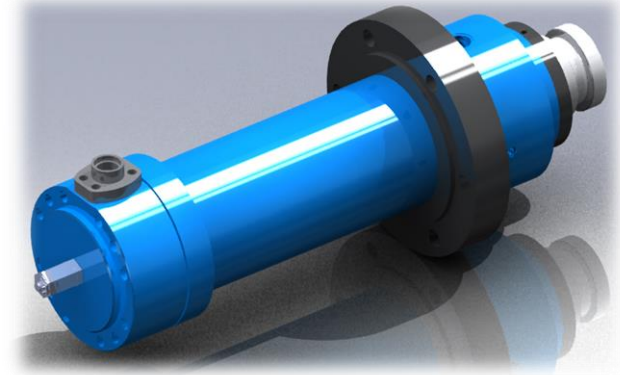
HYDRAULICS

- ❖ As Hidrofleks; we produce professional solutions in hydraulic power transmission applications by establishing efficient, durable and economical systems that best suit the demands and needs of industrial organizations.
- ❖ We offer package solutions to our customers; by making hydraulic line applications, designing & producing hydraulic power units and cylinders with our distinguished engineering team and our wide hydraulic product range, consisting of products of the world's leading hydraulic companies.

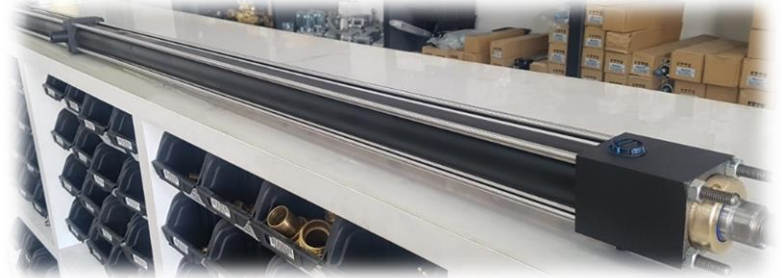


HYDRAULIC CYLINDERS

- ❖ We produce standard and custom cylinders according to our customers drawings or specifications which are 3D designed by our technical team with modern CAD programs.
- ❖ We are able to produce below mentioned cylinder types used in Iron & Steel, Mobile Hydraulics, Agriculture, Mining, Construction and all kinds of Hydraulic Presses;
 - Single Rod Cylinders,
 - Double Rod Cylinders,
 - Tandem Cylinders,
 - Block Cylinders,
 - Stainless (AISI 304, AISI 316) Cylinders,
 - Custom Made Cylinders,
 - Cylinder Maintenance and Revision

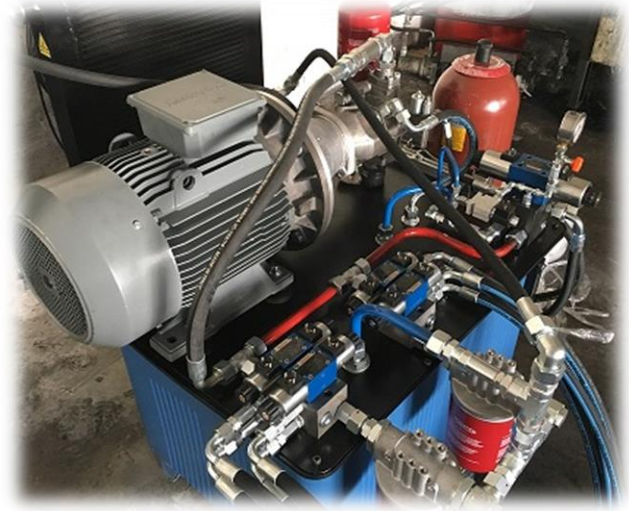


HYDRAULIC CYLINDER PRODUCTIONS

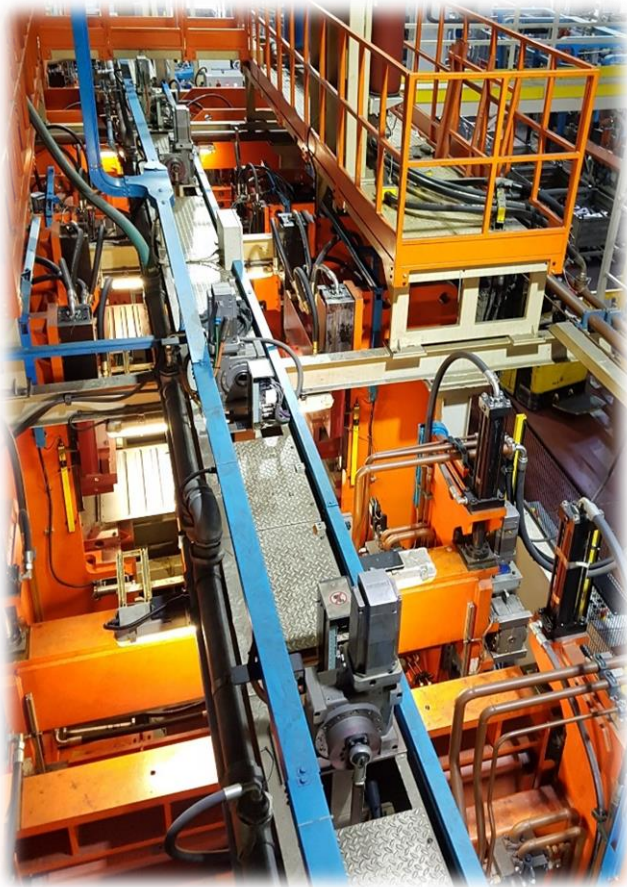


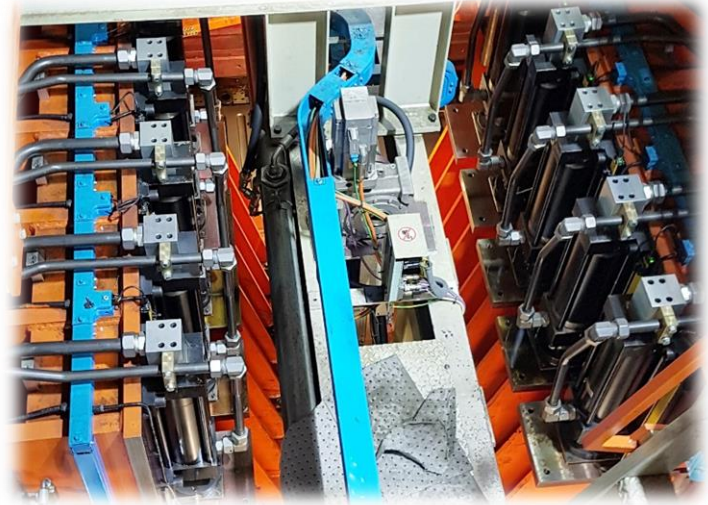
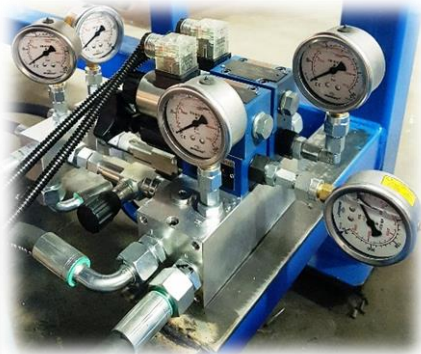
HYDRAULIC POWER UNIT PRODUCTIONS





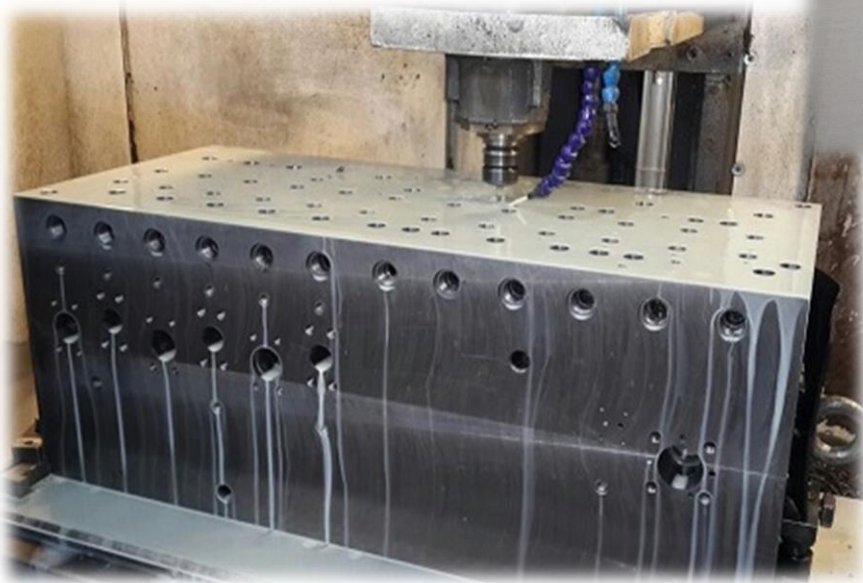
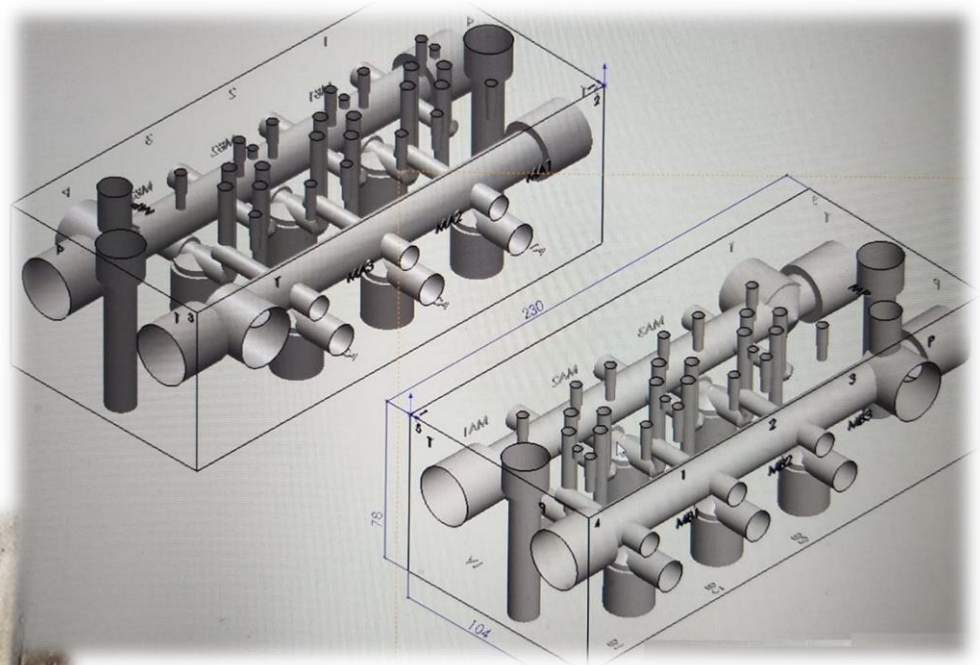
HYDRAULIC LINE INSTALLATIONS



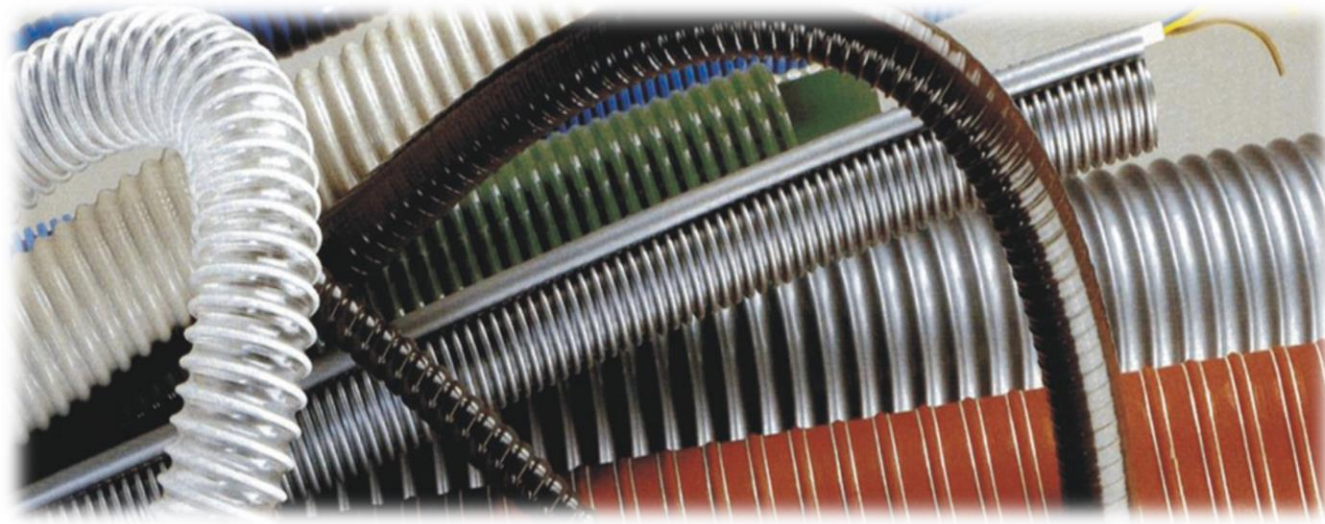


HYDRAULIC BLOCKS PRODUCTION

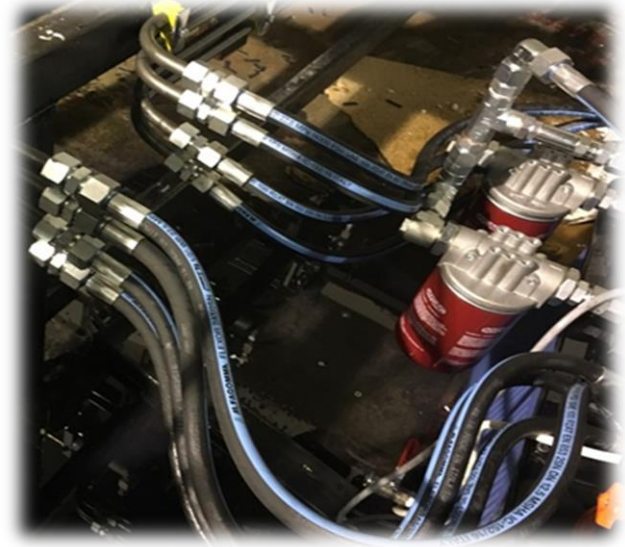
- ❖ We manufacture hydraulic blocks in standard and special sizes, which are designed in 3D by our technical team with modern CAD programs, in accordance with the needs of our customers.



INDUSTRIAL HOSES



INDUSTRIAL HOSE APPLICATIONS

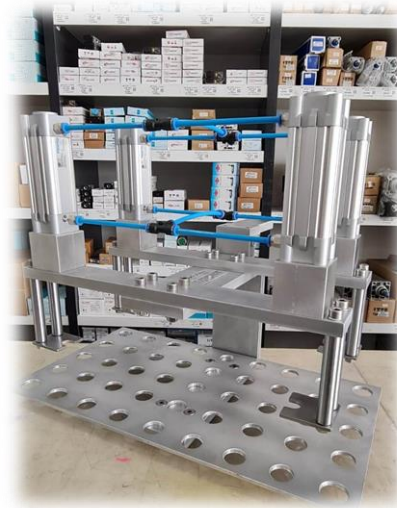


SPECIAL HOSE PRODUCTIONS (STAINLESS FITTINGS & GLASS FIBER + SILICONE COATED)

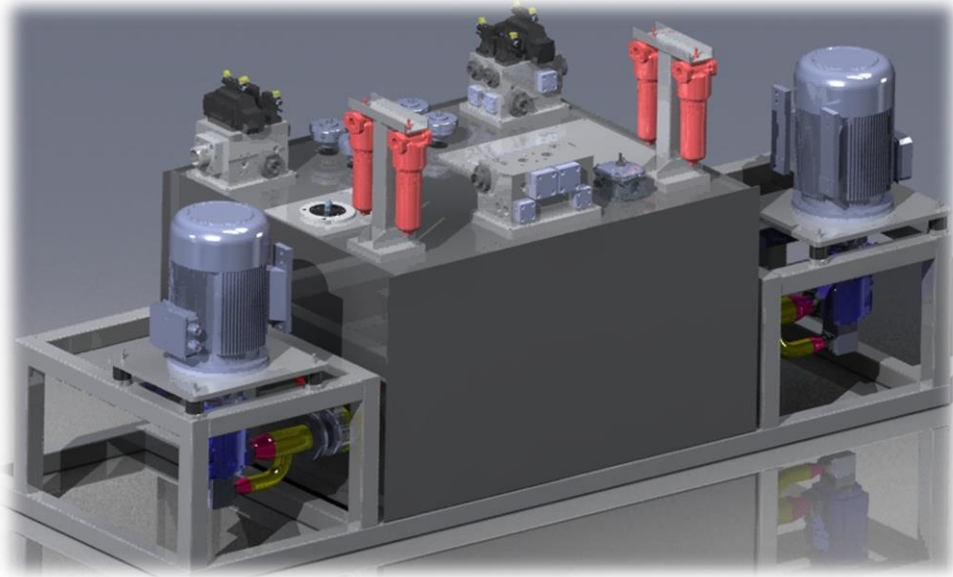


PNEUMATICS

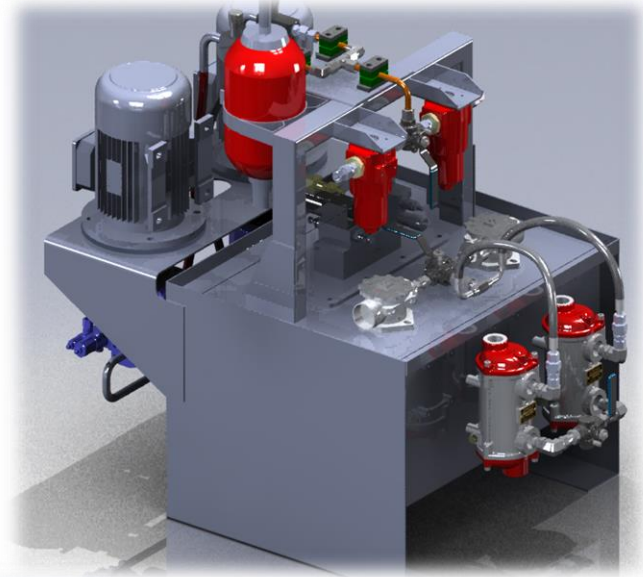
- ❖ Pneumatic systems are the systems that enable linear, circular and angular movements to be achieved with pressurized air and various control systems. Practically, systems that work with vacuum or positive air pressure and the circuit elements used can be considered within the scope of pneumatics.
- ❖ We offer the necessary products and solutions with our wide range of brands and products to meet all needs of production facilities regarding pneumatic systems and products.



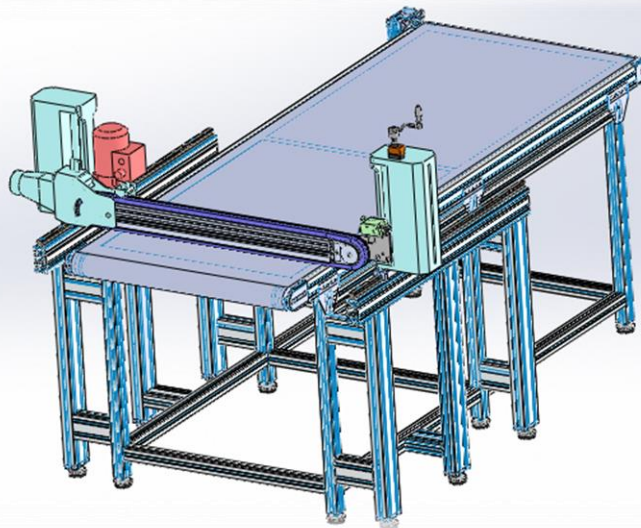
3D MODELLING BEFORE PRODUCTION



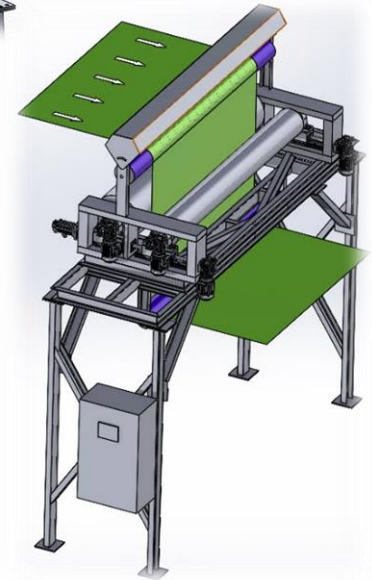
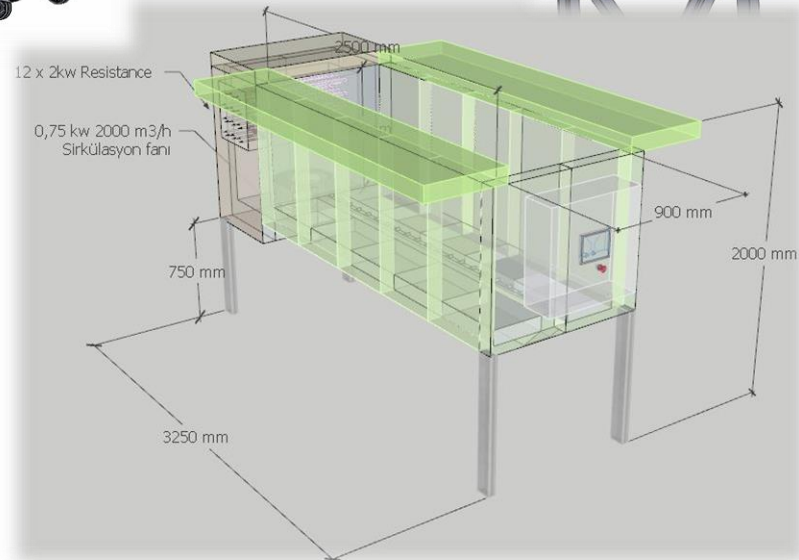
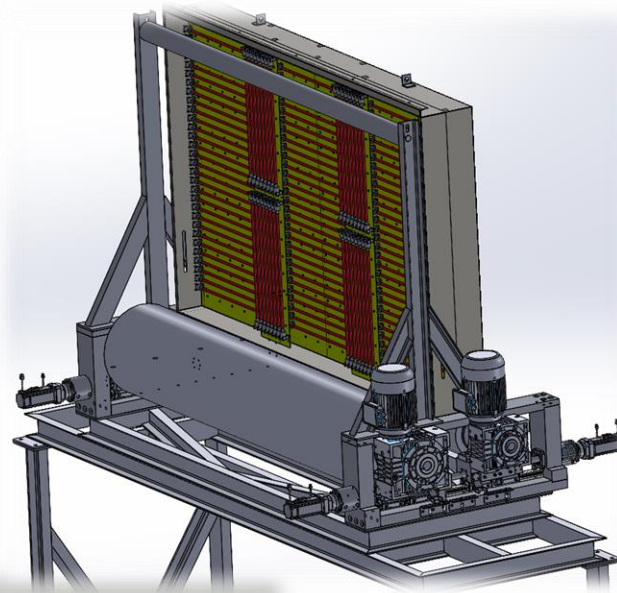
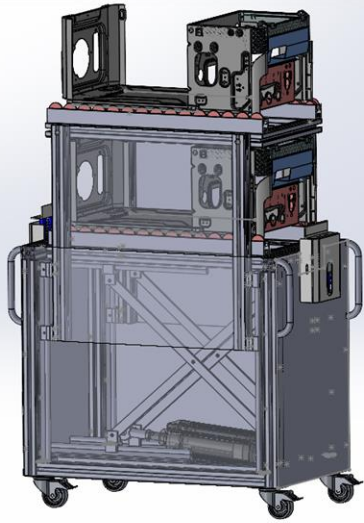
* HYDRAULIC UNIT
SAMPLE 1



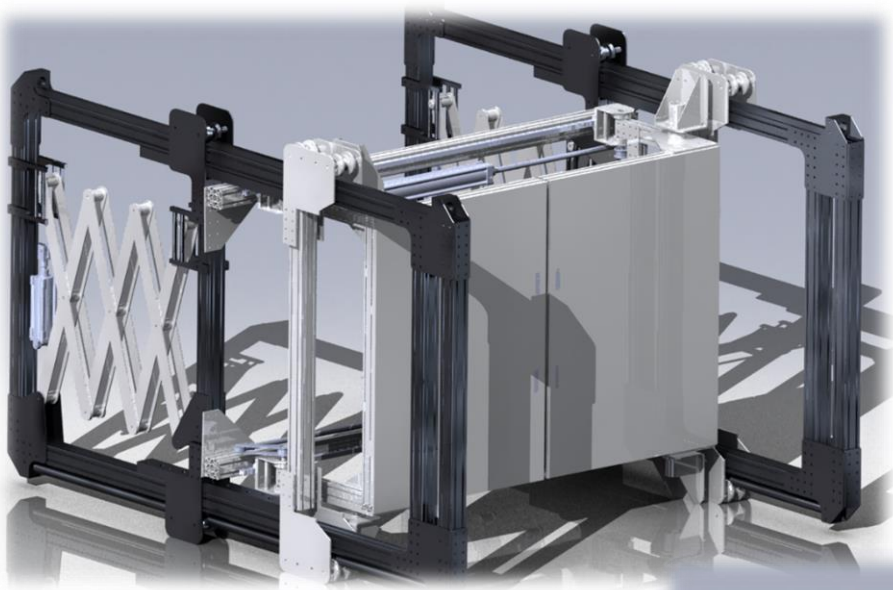
* HYDRAULIC UNIT
SAMPLE 2



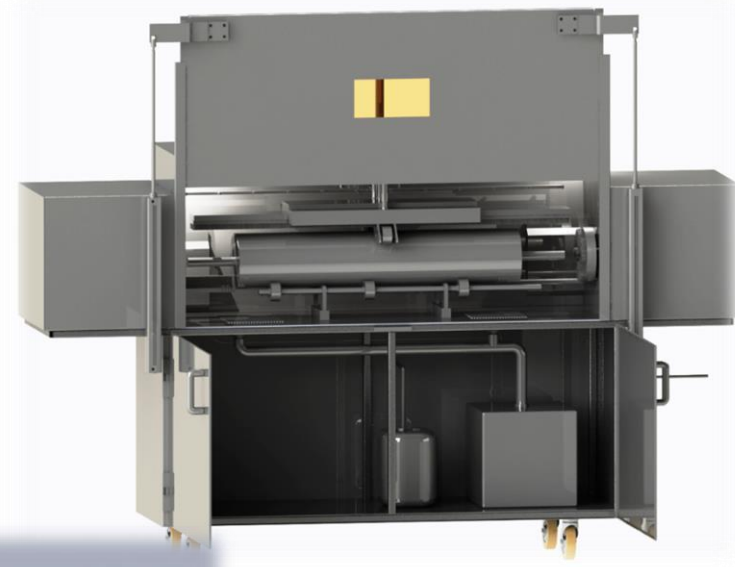
3D MODELLING



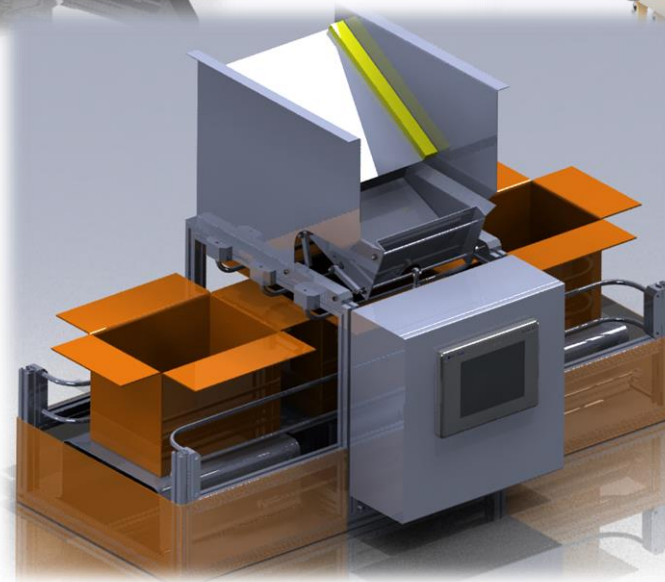
CUSTOM MACHINE DESIGN & PRODUCTION



** XL PUSHER PLATE
MACHINE*

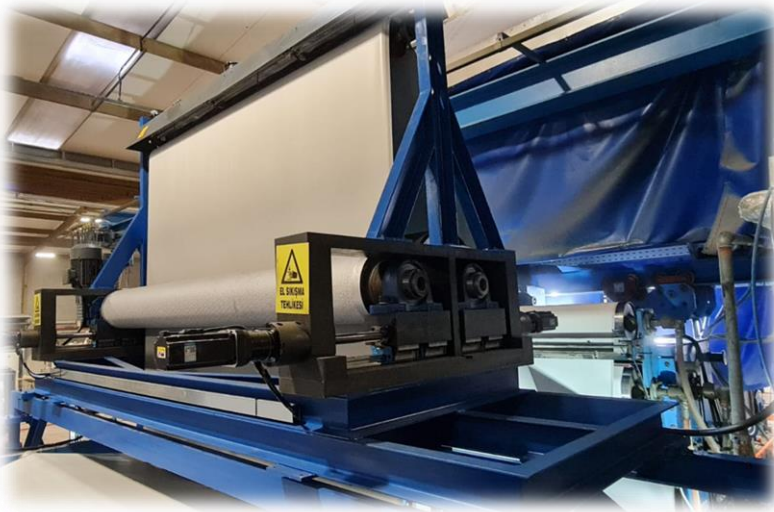


** SOLVENT WASHING
MACHINE*



** PACKAGING MACHINE*

CUSTOM MACHINE DESIGN & PRODUCTION



** PVC EMBOSsing
SYSTEM*



** HYDRAULIC PRESS*



PRINTING CYLINDER WASHING MACHINE



FLEX PLATE DEMOUNTER



*AUTOMATIC SILICONE
GLUING MACHINE*



INDUSTRIAL HOSE CADDY



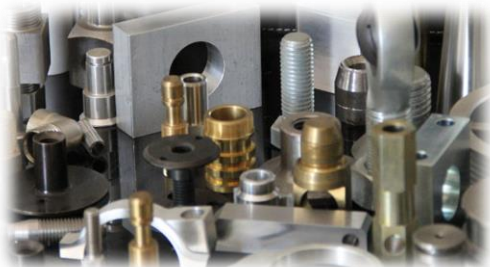
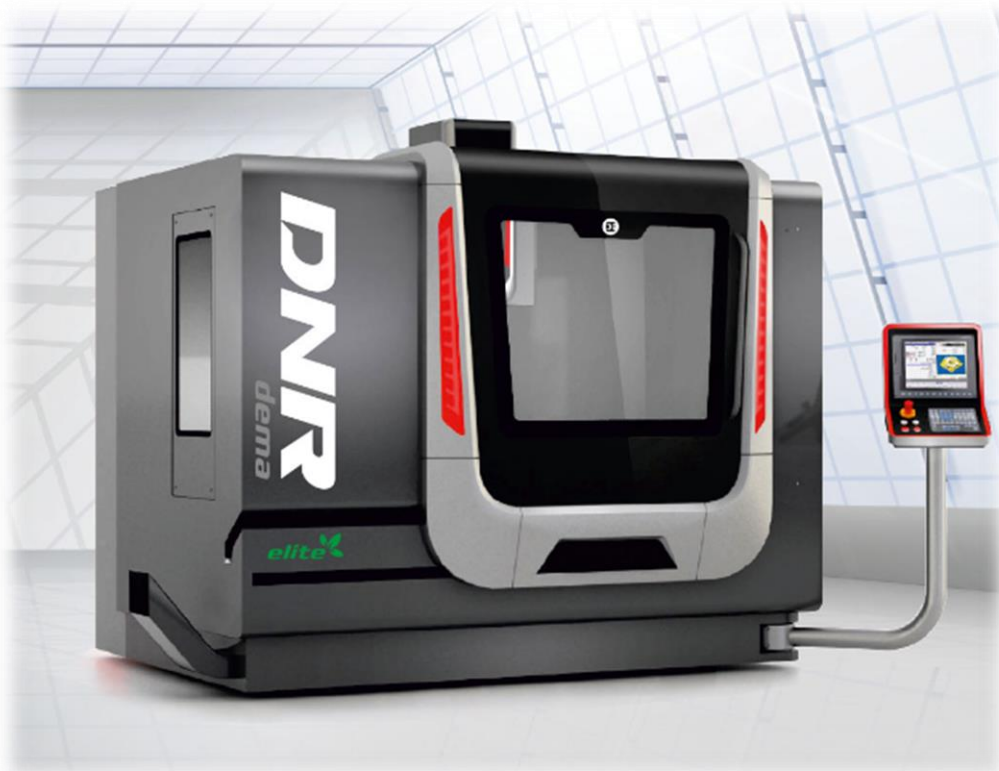
FOILED BADGE MACHINE

AUTOMATION

- ❖ Automation technologies aim to regulate the smooth operation of machines/production units. Our company actively designs and implements automation systems while delivering hydraulic - pneumatic projects or custom machines to the end user.
- ❖ As Hidrofleks, we comprehensively design and implement automation solutions in our machine projects and hydraulic-pneumatic systems. We generally use touch screens, microprocessors, PLC panels, sensors, transmitters, servo motors, flow control and measurement devices in our systems.

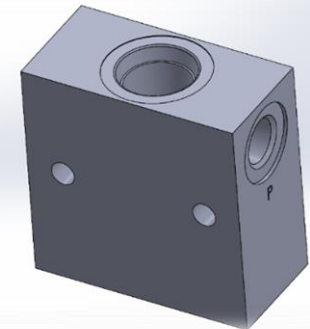
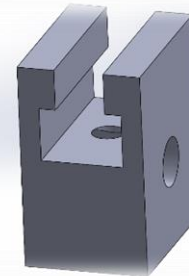
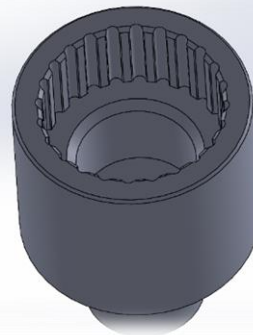
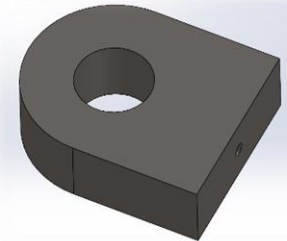
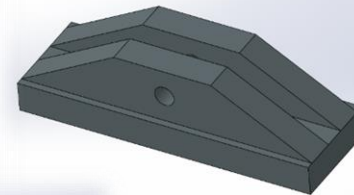
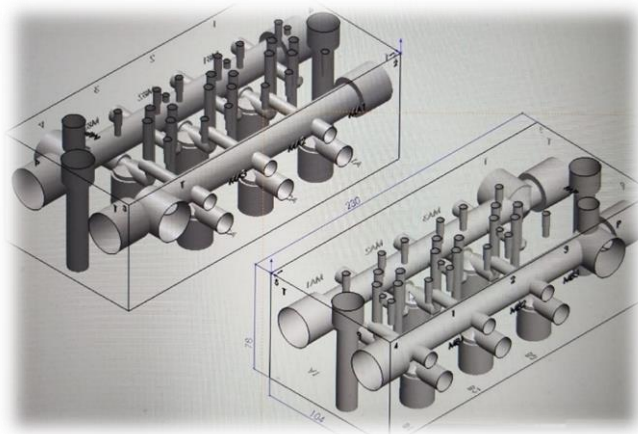
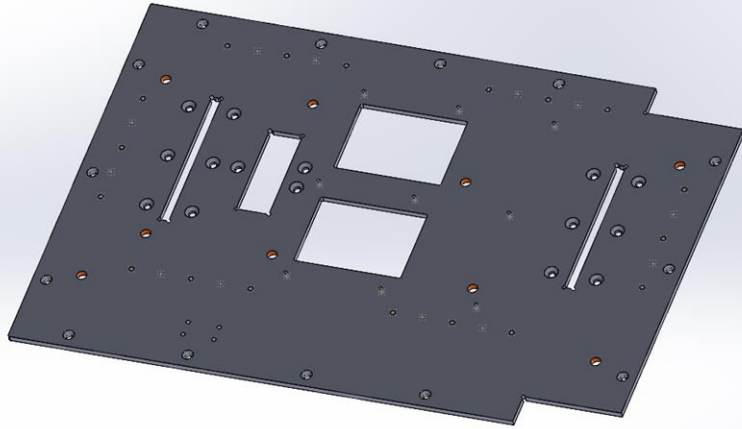


CNC MACHINING



DESIGN & TECHNICAL DRAWINGS

We enable our customers to see the 3D designs and technical drawings of their standard and customized demands before manufacturing by making them with Solidworks and CAD programs with our experienced technical team.



HYDROSAFE BARRIER SYSTEM

- *Our patented product designed to ensure personnel safety against the danger of being trapped between the vehicle and the ramp in loading areas;*



- ❖ **Hydraulic Equipments,**
- ❖ **Pneumatic Equipments,**
- ❖ **Engineering Services,**
- ❖ **Automation,**
- ❖ **Industrial Hose Types,**
- ❖ **Custom Machine Design & Productions,**
- ❖ **Maintenance & Repair Services,**