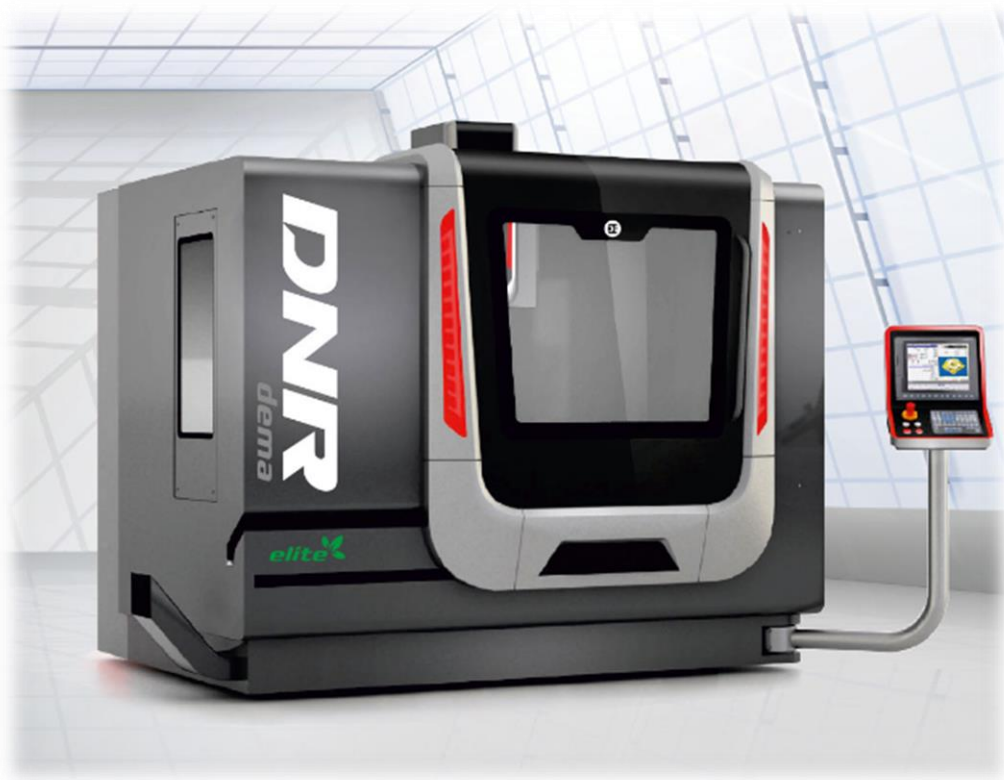




# Hidrofleks

Hortum, Hidrolik ve Pnömatik

# CNC MACHINING



As Hidrofleks, we have made our machining capacity, which started with machine design and production, more comprehensive with our vertical machining center investment. We now produce holistic solutions to our customers' demands that require standard or special manufacturing, faster, more economically and without compromising on quality...



In our CNC Vertical Machining Center; We can process almost all materials suitable for manufacturing, such as steel, brass, aluminum, stainless steel, PVC and similar, up to 1200 \* 600 \* 600 mm.

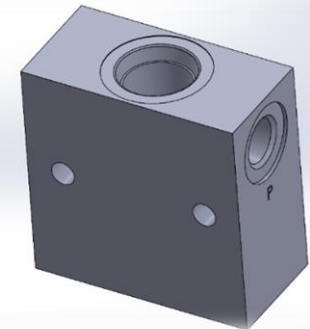
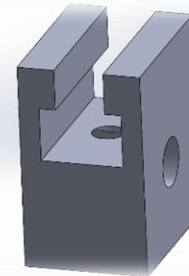
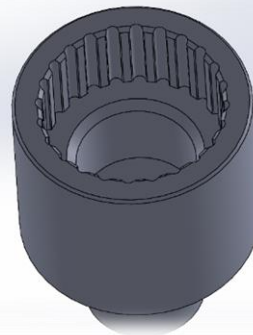
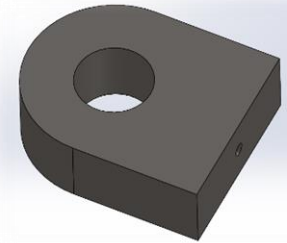
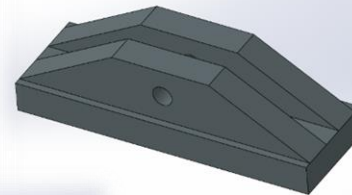
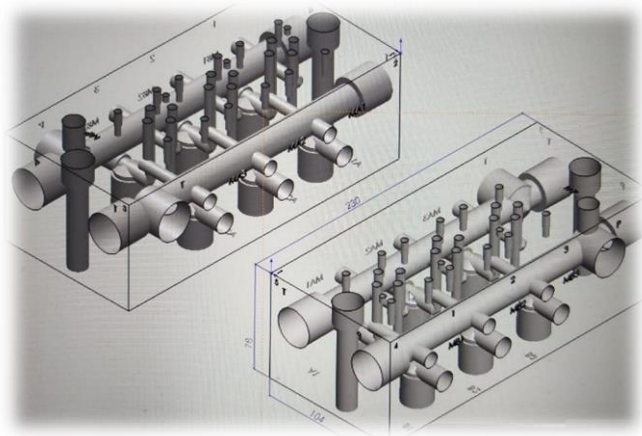
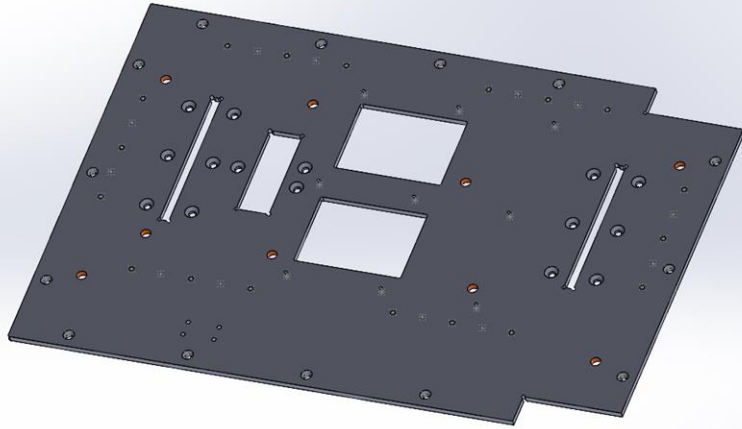
For these materials; We can process forms determined by freehand drawing, precision milling, hole drilling, pool draining and dimensioning.

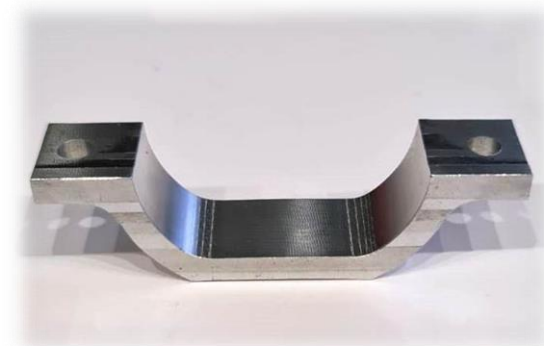
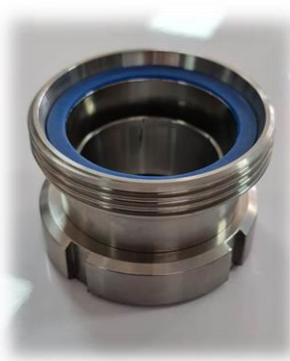
We support our customers in the production of the final products such as;

- Special Design Machine Parts,
- Plates,
- Hydraulic & Pneumatic Blocks/Collectors,
- Special fittings,

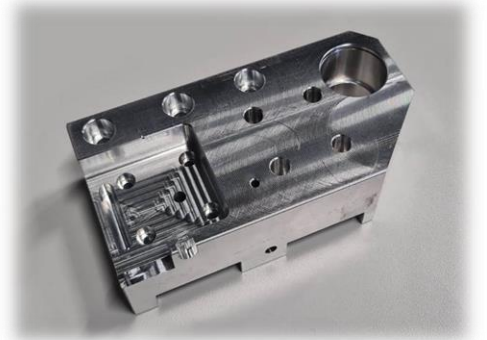
# DESIGN & TECHNICAL DRAWINGS

We enable our customers to see the 3D designs and technical drawings of their standard and specially sized demands before manufacturing by making them with Solidworks and CAD programs with our experienced technical team.

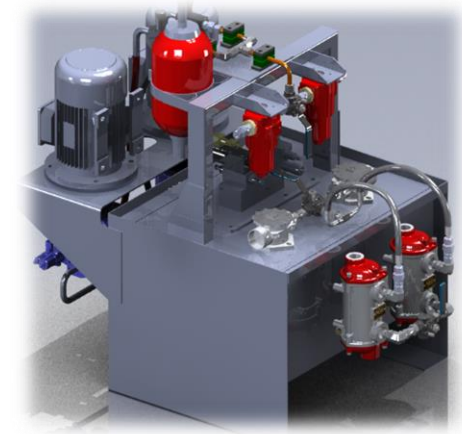
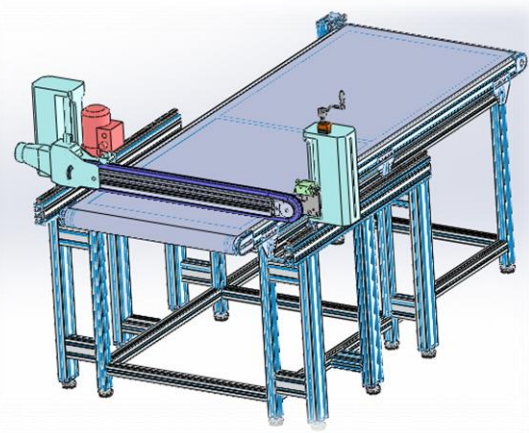
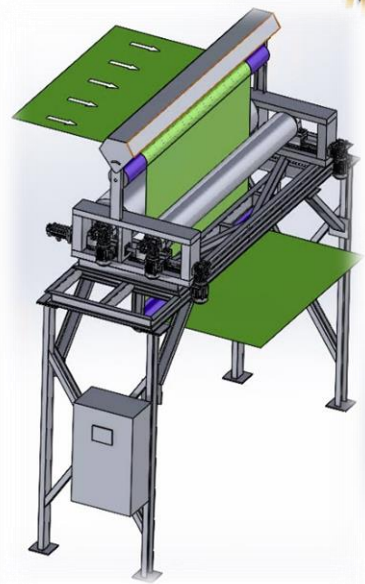
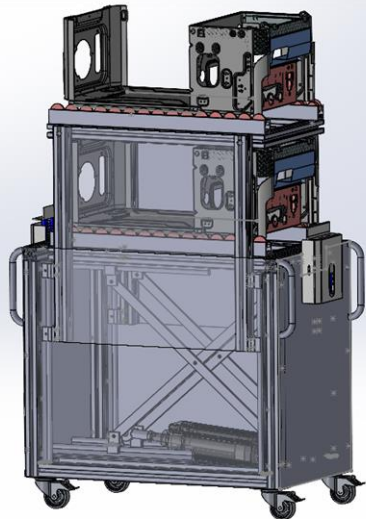
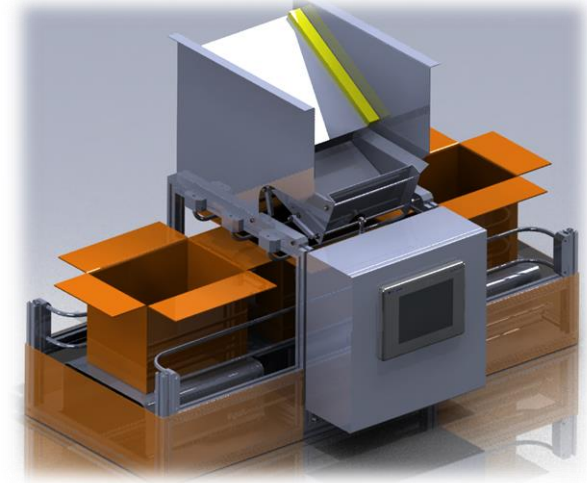
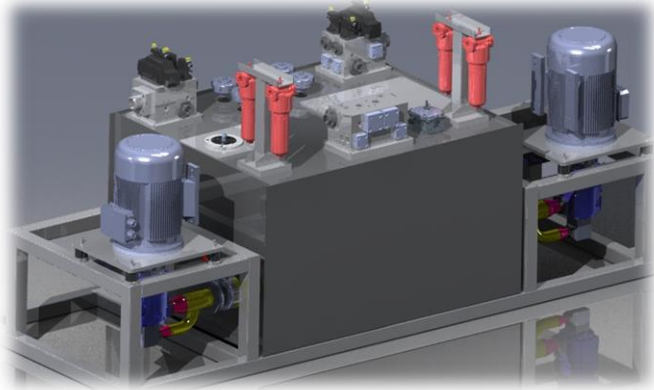




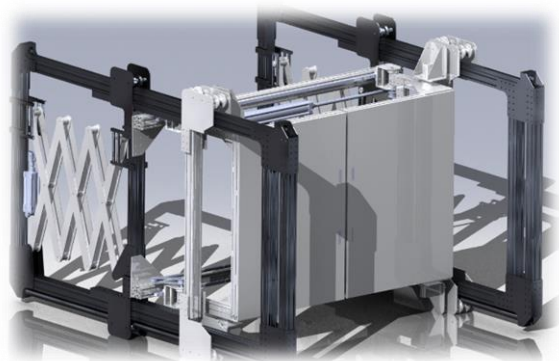




# 3D MODELLING



# CUSTOM MACHINE DESIGN & PRODUCTION



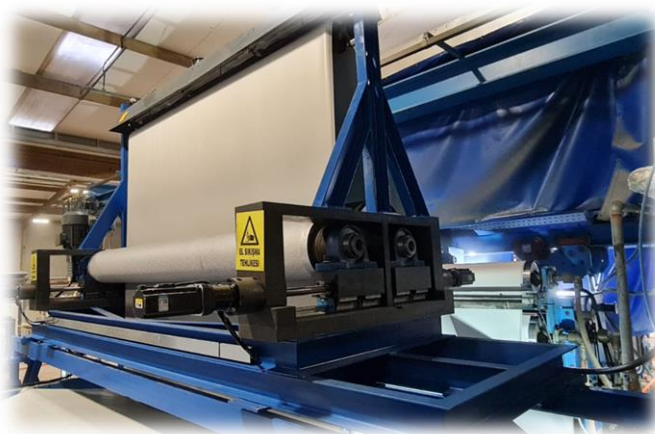
- *XL PUSHING PLATE MACHINE*



- \* *HYDRAULIC PRESS*



- \* *FLEX PLATE DEMOUNTER*



- \* *PVC EMBOSSING SYSTEM*



- \* *PRINTING CYLINDER WASHING MACHINE*